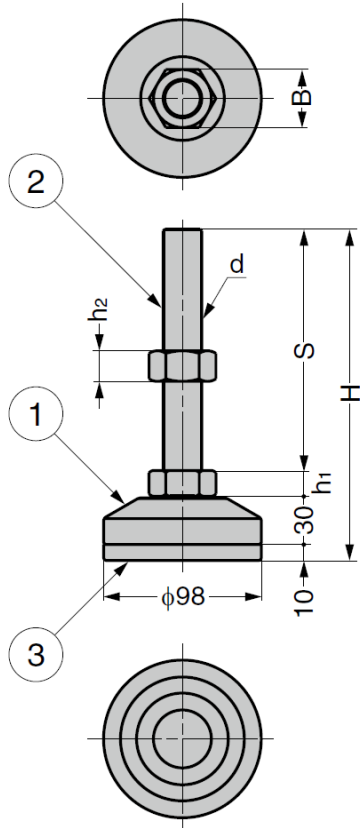


## GSDY-MSR Heavy Duty Levelling Glide

### Features

- Levelling glide subject to galling preventive treatment
- Base made of nitrile rubber to prevent from skidding and scratching the floor
- Different bolt lengths, bolt diameters (M16, M20) and steel models also available on made-to-order basis (MOQ 10 pcs)
- Levelling glides with conductive rubber base also available (MOQ 200 pcs)



No.	Part Name	Material	Finish/Colour
①	Body	Stainless Steel (SUS304)	Polished
②	Threaded Bolt		
③	Base	Nitrile Rubber (NBR)	Black

Part No.	d	H	h <sub>1</sub>	h <sub>2</sub>	S	B	Load Capacity (per piece)	
GSDY-MSR-24-150	M24	206	16	19	150	36	19,600 N	2,000 kg
GSDY-MSR-24-200		256			200			
GSDY-MSR-30-150	M30	210	20	24	150	46	24,500 N	2,500 kg
GSDY-MSR-30-200		260			200			